
Fundamentals of Power Electronics

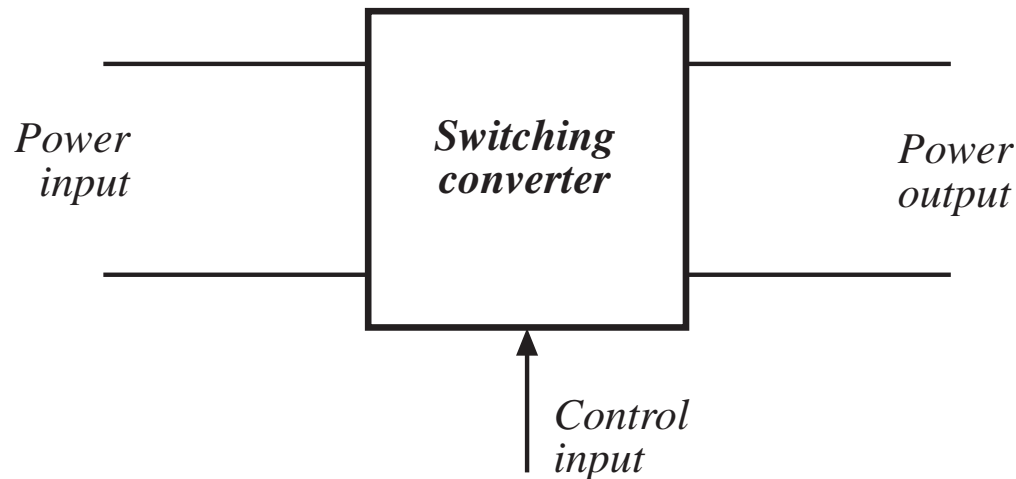
Second edition

Robert W. Erickson
Dragan Maksimovic
University of Colorado, Boulder

Chapter 1: Introduction

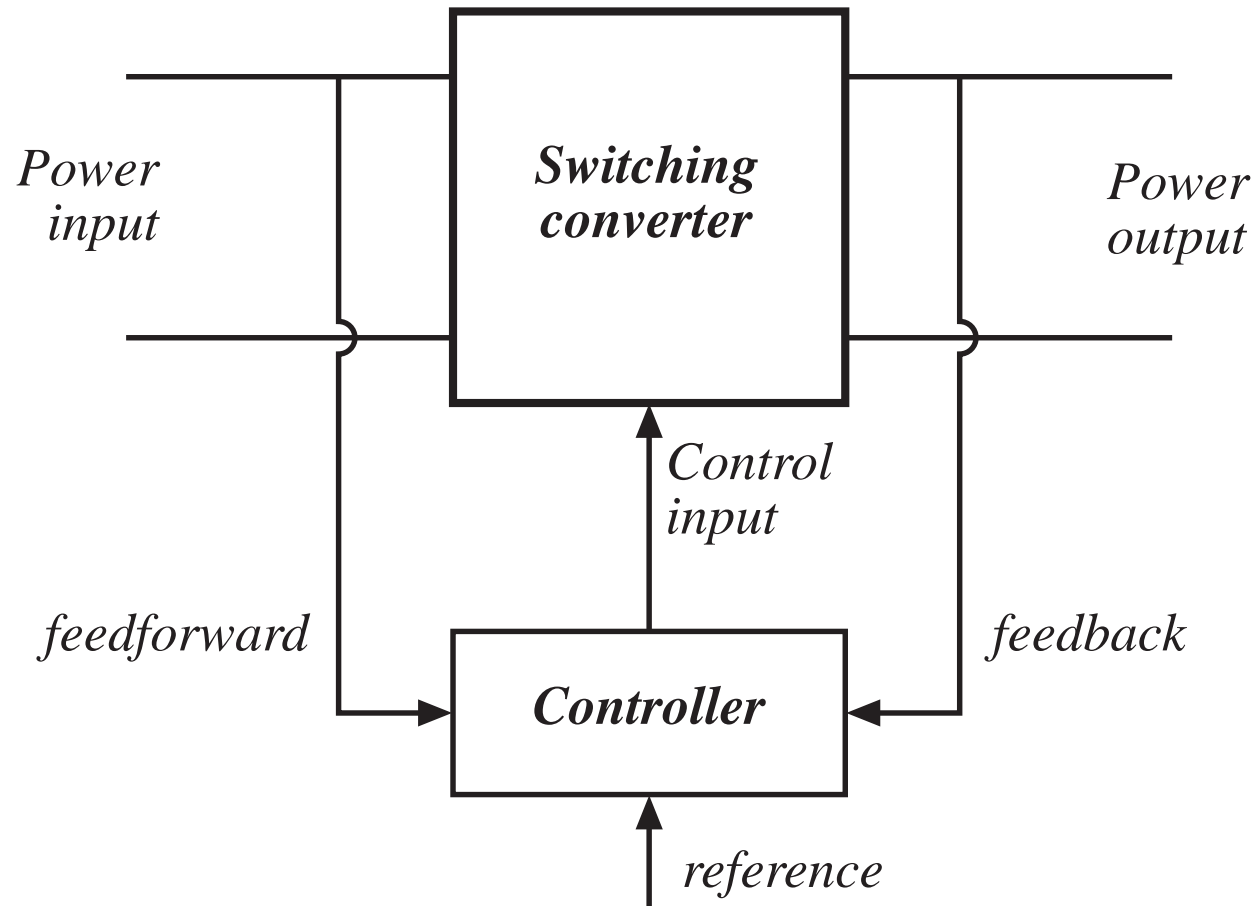
- 1.1. Introduction to power processing
 - 1.2. Some applications of power electronics
 - 1.3. Elements of power electronics
- Summary of the course

1.1 Introduction to Power Processing



- Dc-dc conversion:* Change and control voltage magnitude
- Ac-dc rectification:* Possibly control dc voltage, ac current
- Dc-ac inversion:* Produce sinusoid of controllable magnitude and frequency
- Ac-ac cycloconversion:* Change and control voltage magnitude and frequency

Control is invariably required

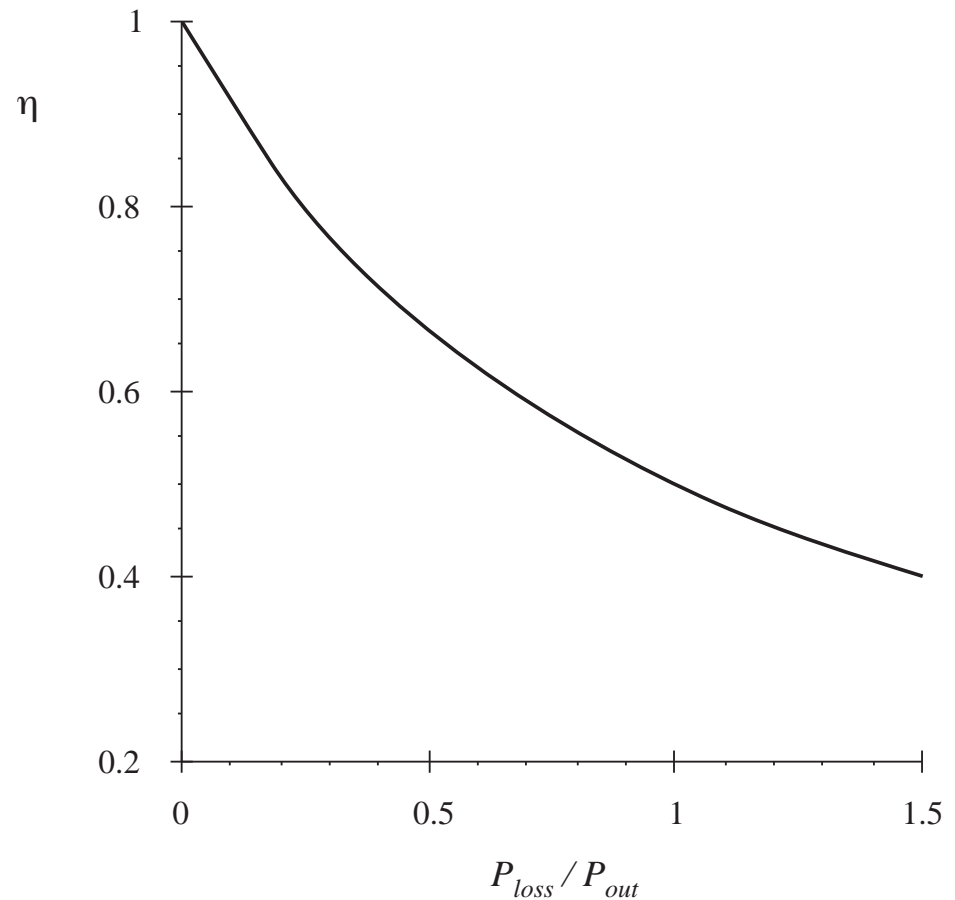


High efficiency is essential

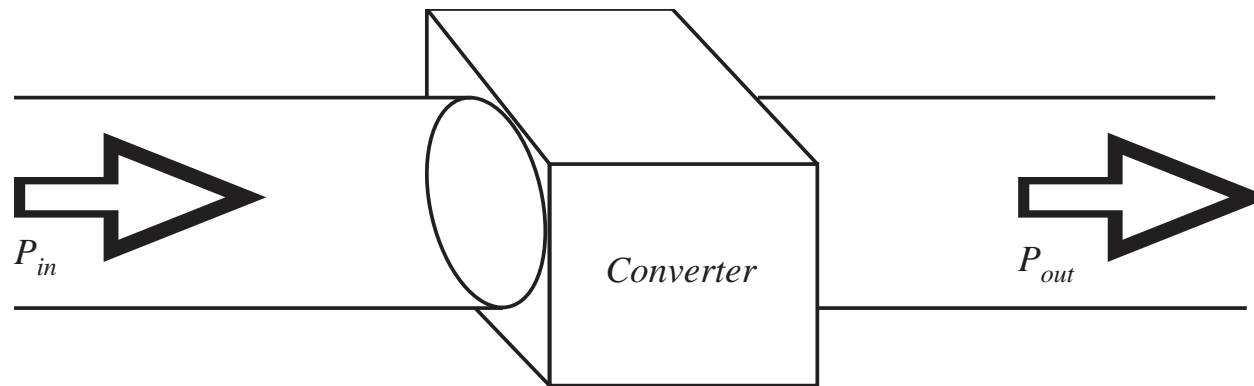
$$\eta = \frac{P_{out}}{P_{in}}$$

$$P_{loss} = P_{in} - P_{out} = P_{out} \left(\frac{1}{\eta} - 1 \right)$$

High efficiency leads to low
power loss within converter
Small size and reliable operation
is then feasible
Efficiency is a good measure of
converter performance

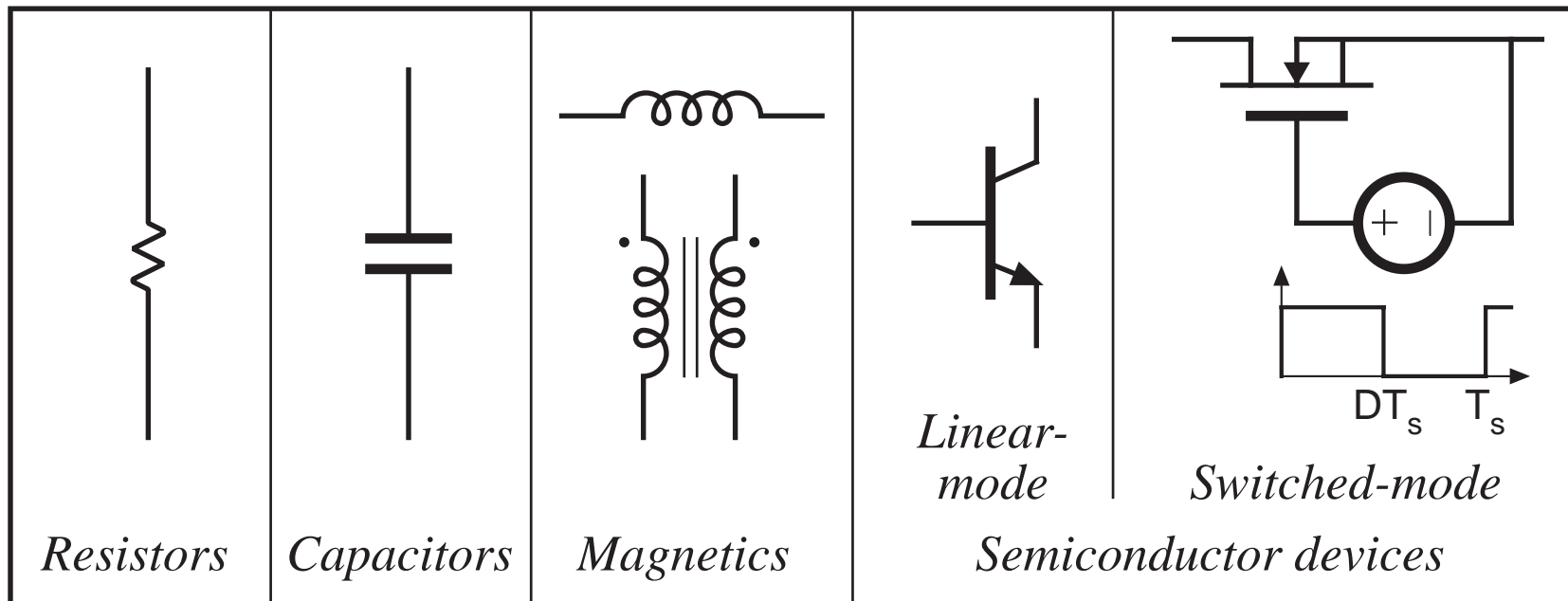


A high-efficiency converter

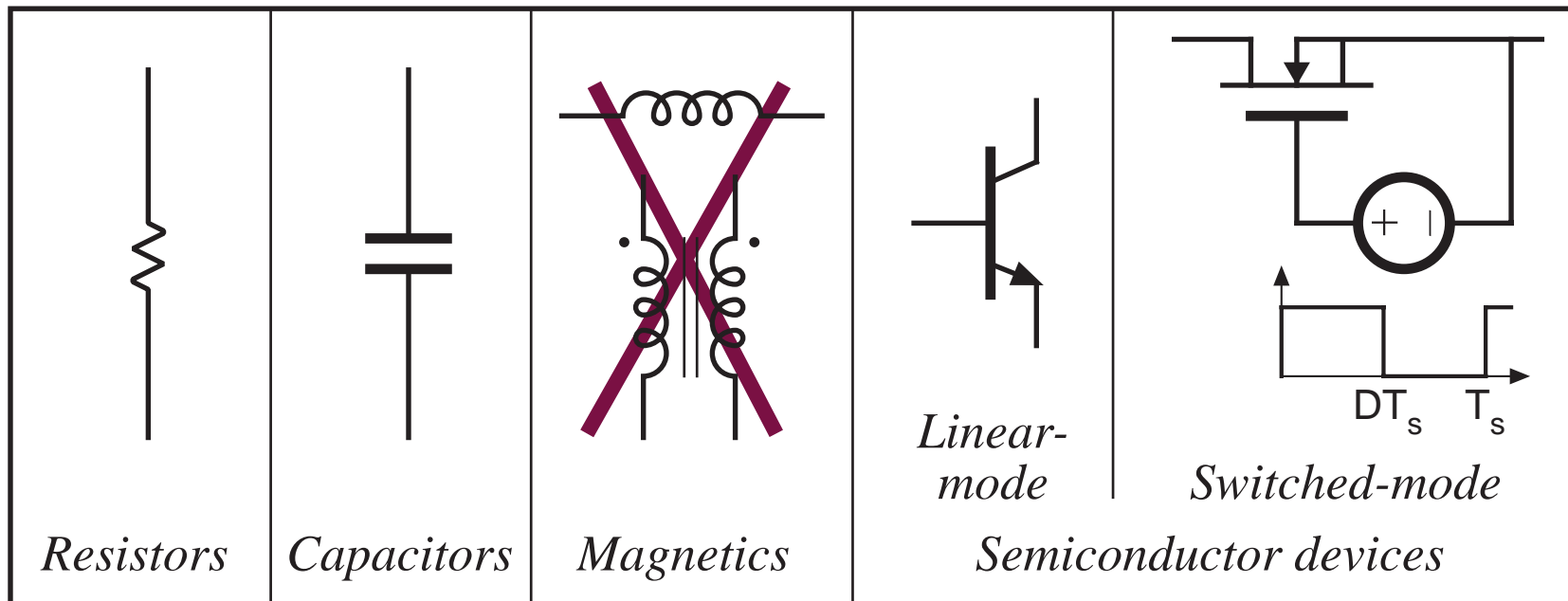


A goal of current converter technology is to construct converters of small size and weight, which process substantial power at high efficiency

Devices available to the circuit designer

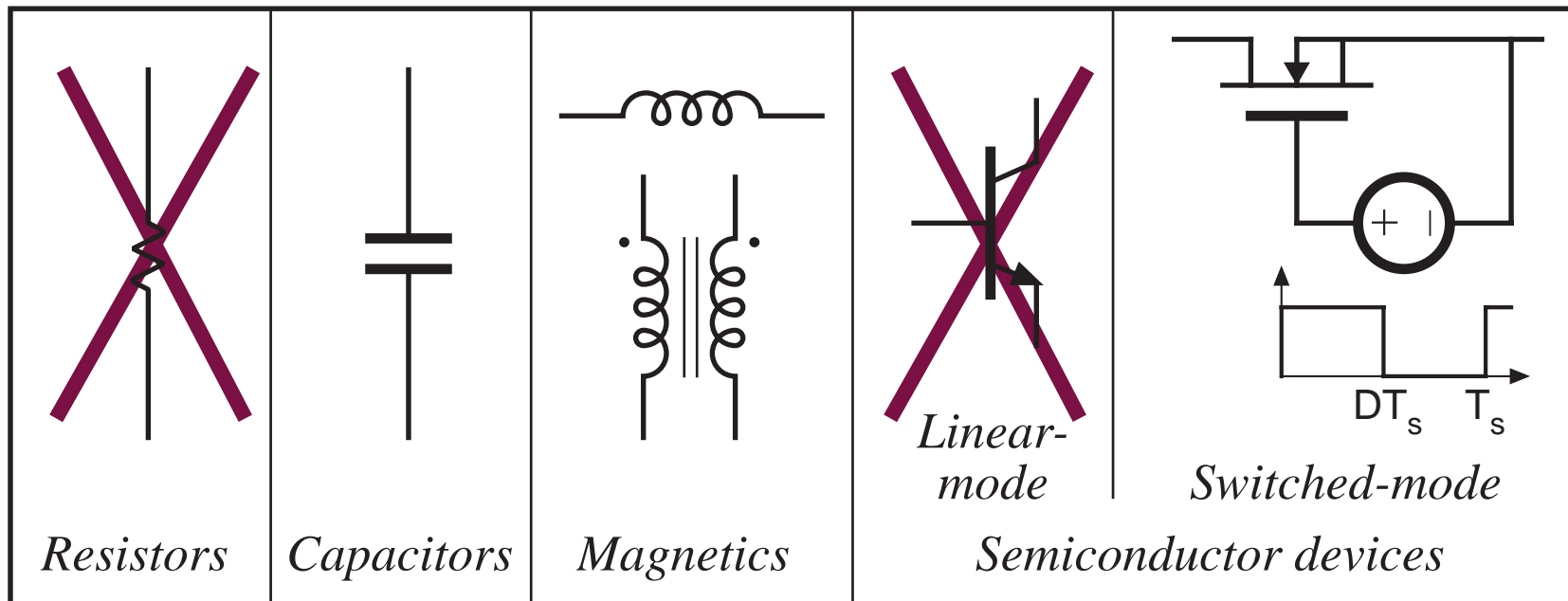


Devices available to the circuit designer



Signal processing: avoid magnetics

Devices available to the circuit designer



Power processing: avoid lossy elements

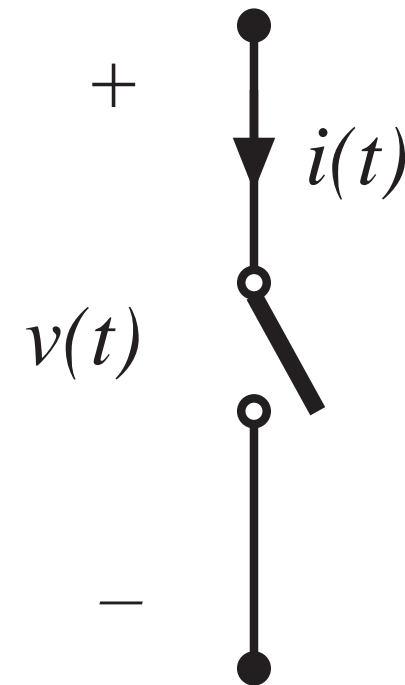
Power loss in an ideal switch

Switch closed: $v(t) = 0$

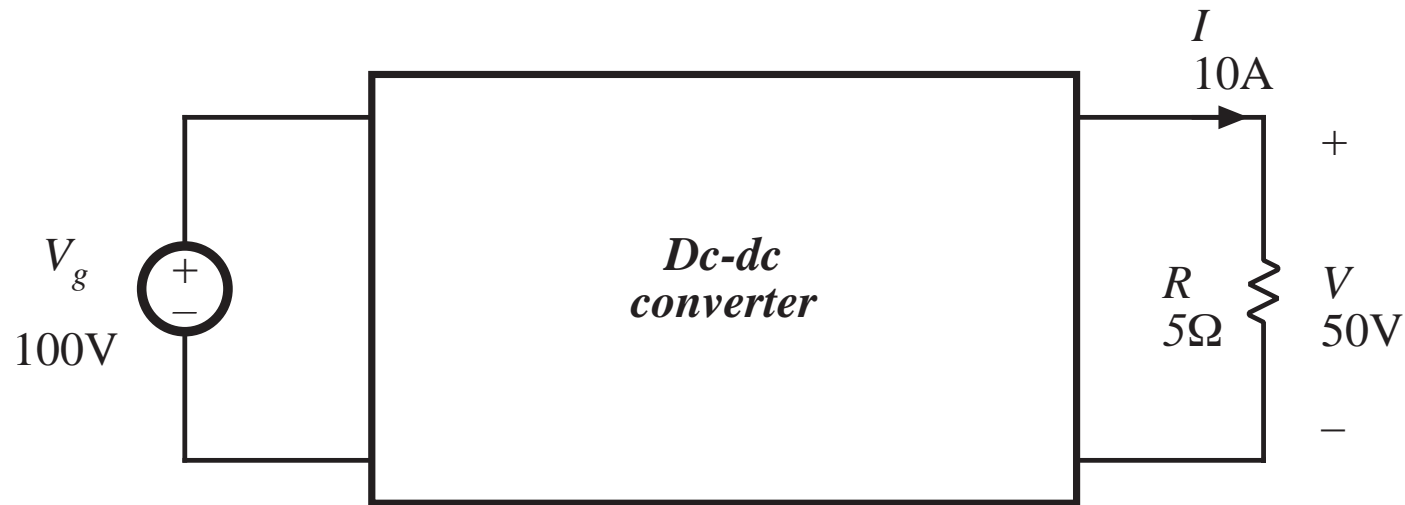
Switch open: $i(t) = 0$

In either event: $p(t) = v(t) i(t) = 0$

Ideal switch consumes zero power



A simple dc-dc converter example



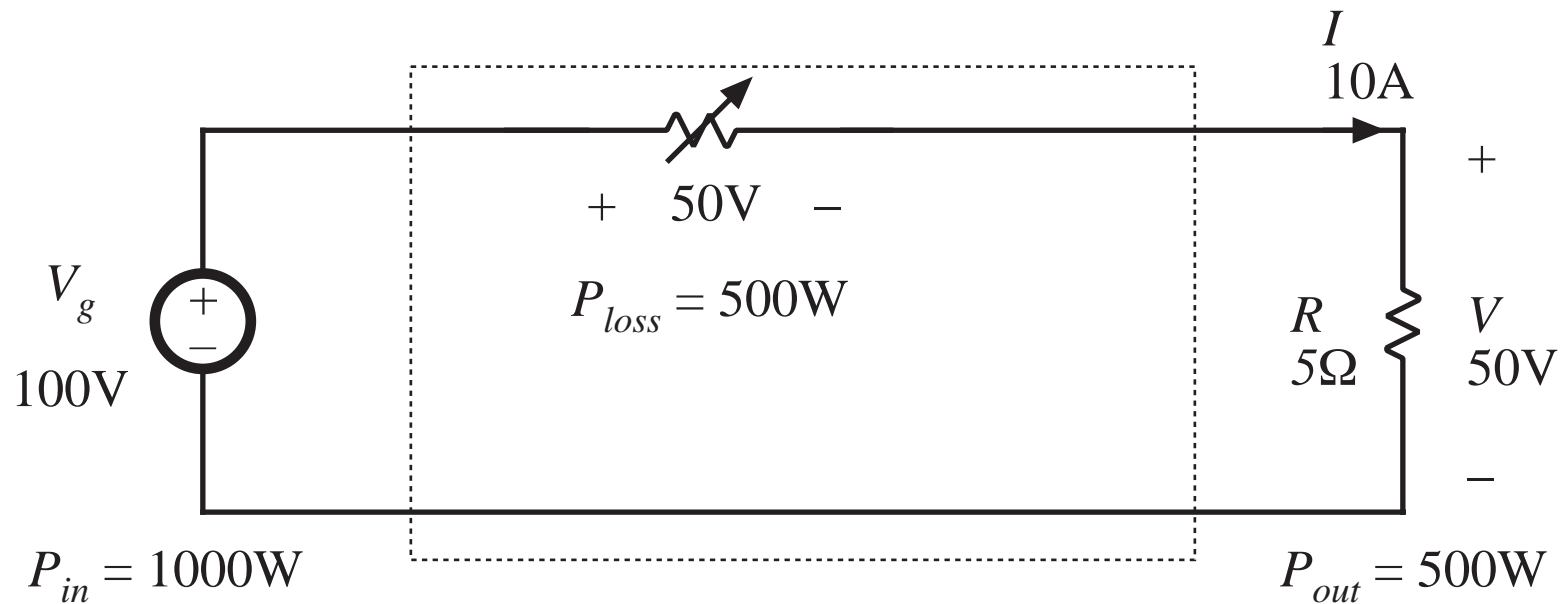
Input source: 100V

Output load: 50V, 10A, 500W

How can this converter be realized?

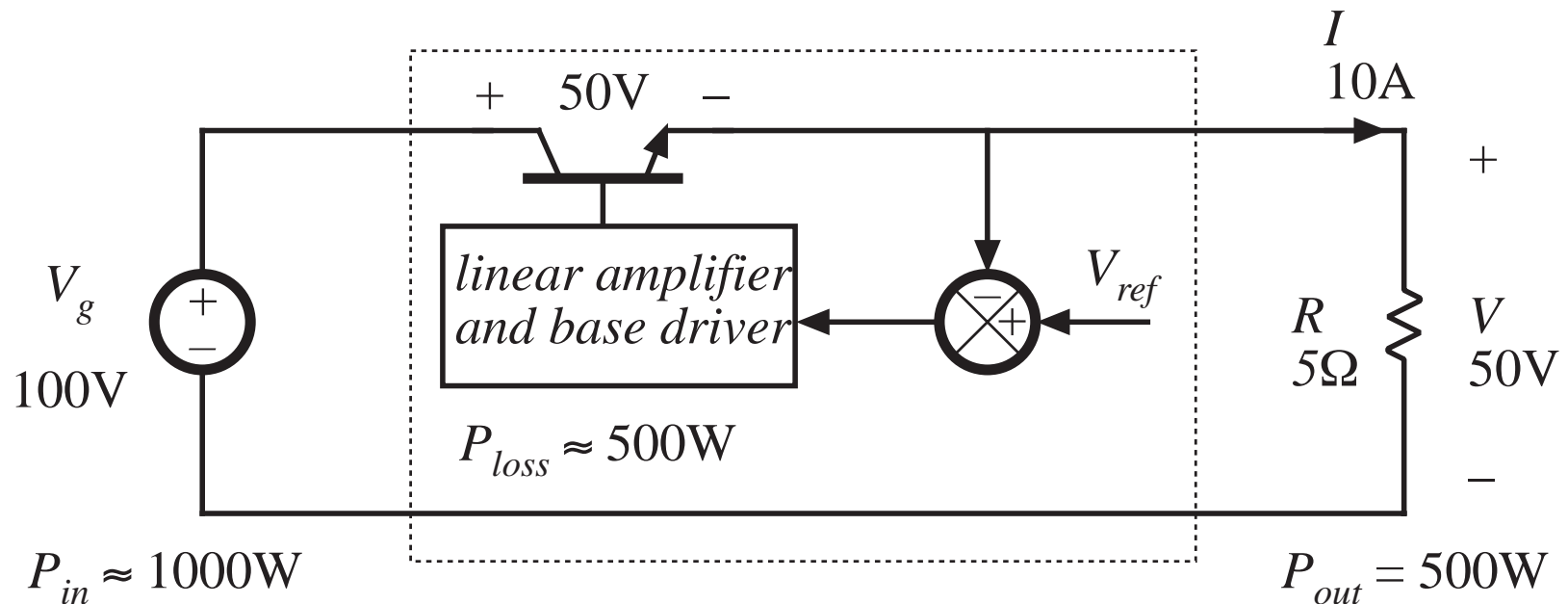
Dissipative realization

Resistive voltage divider

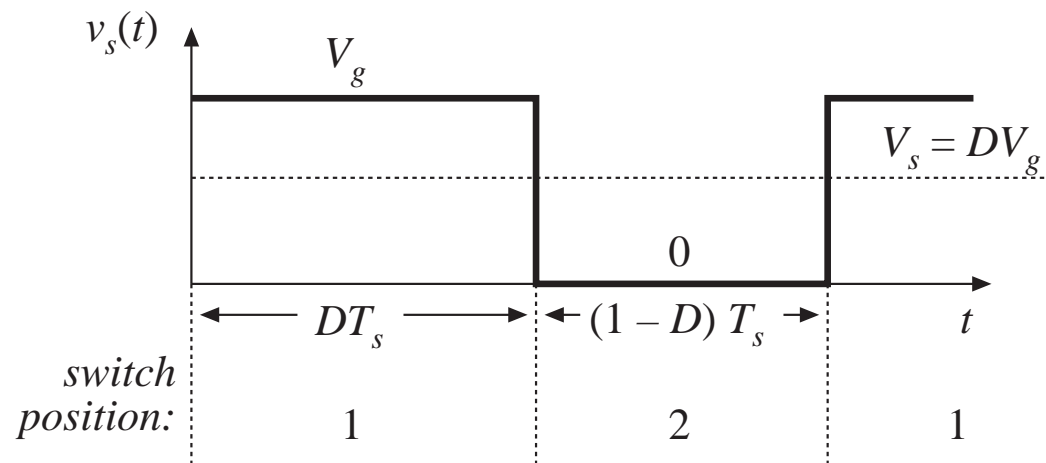
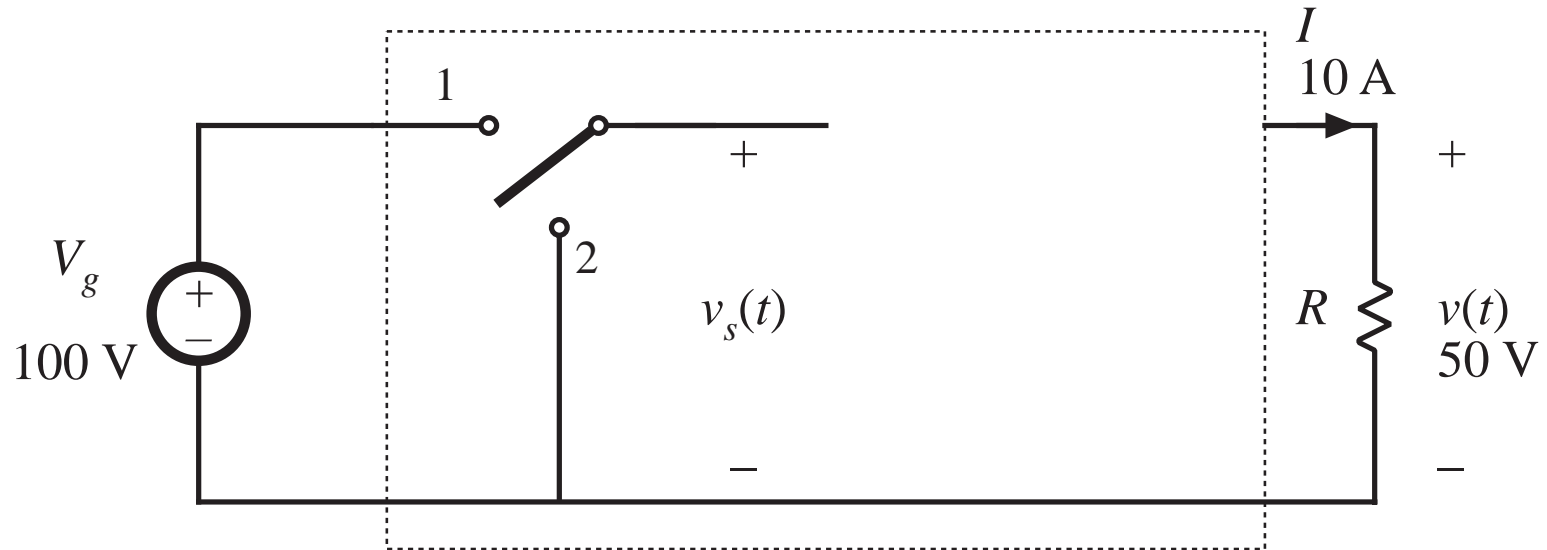


Dissipative realization

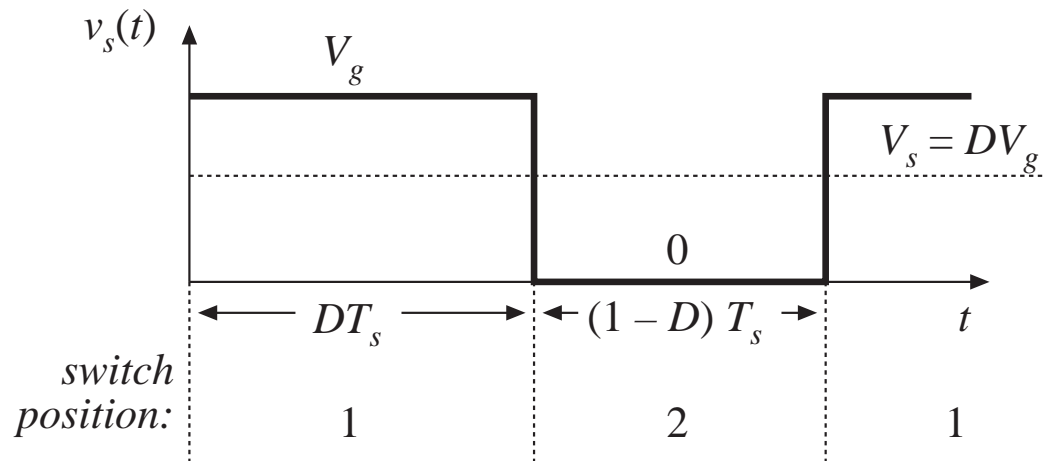
Series pass regulator: transistor operates in active region



Use of a SPDT switch



The switch changes the dc voltage level



D = switch duty cycle
 $0 \leq D \leq 1$

T_s = switching period

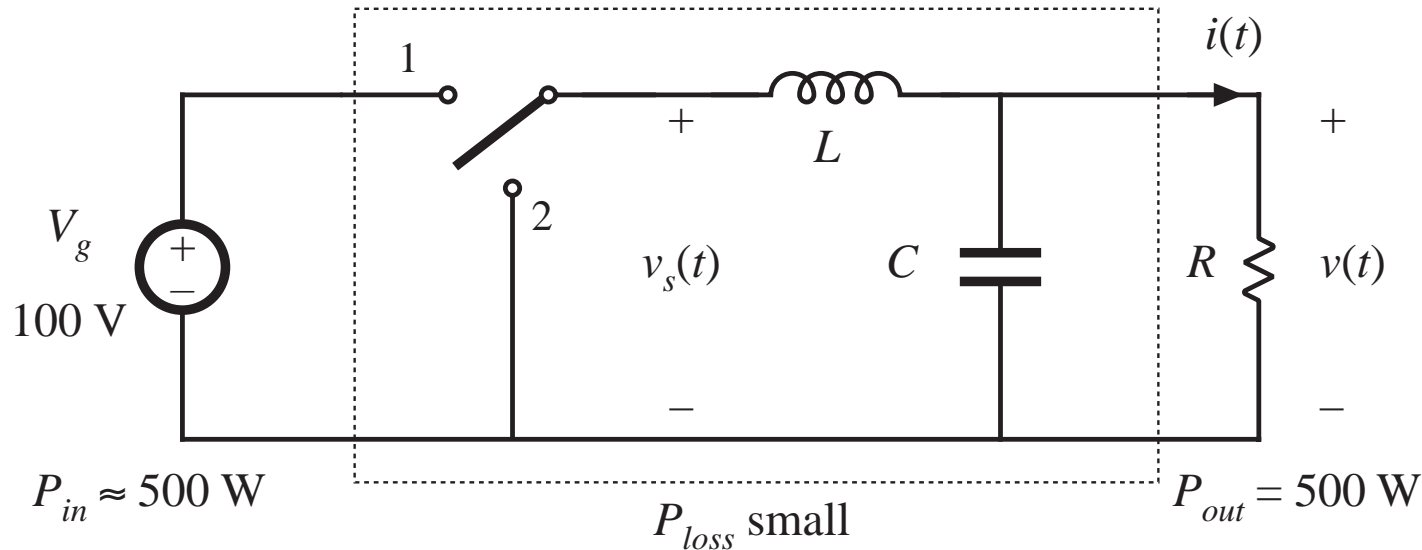
f_s = switching frequency
 $= 1 / T_s$

DC component of $v_s(t)$ = average value:

$$V_s = \frac{1}{T_s} \int_0^{T_s} v_s(t) dt = DV_g$$

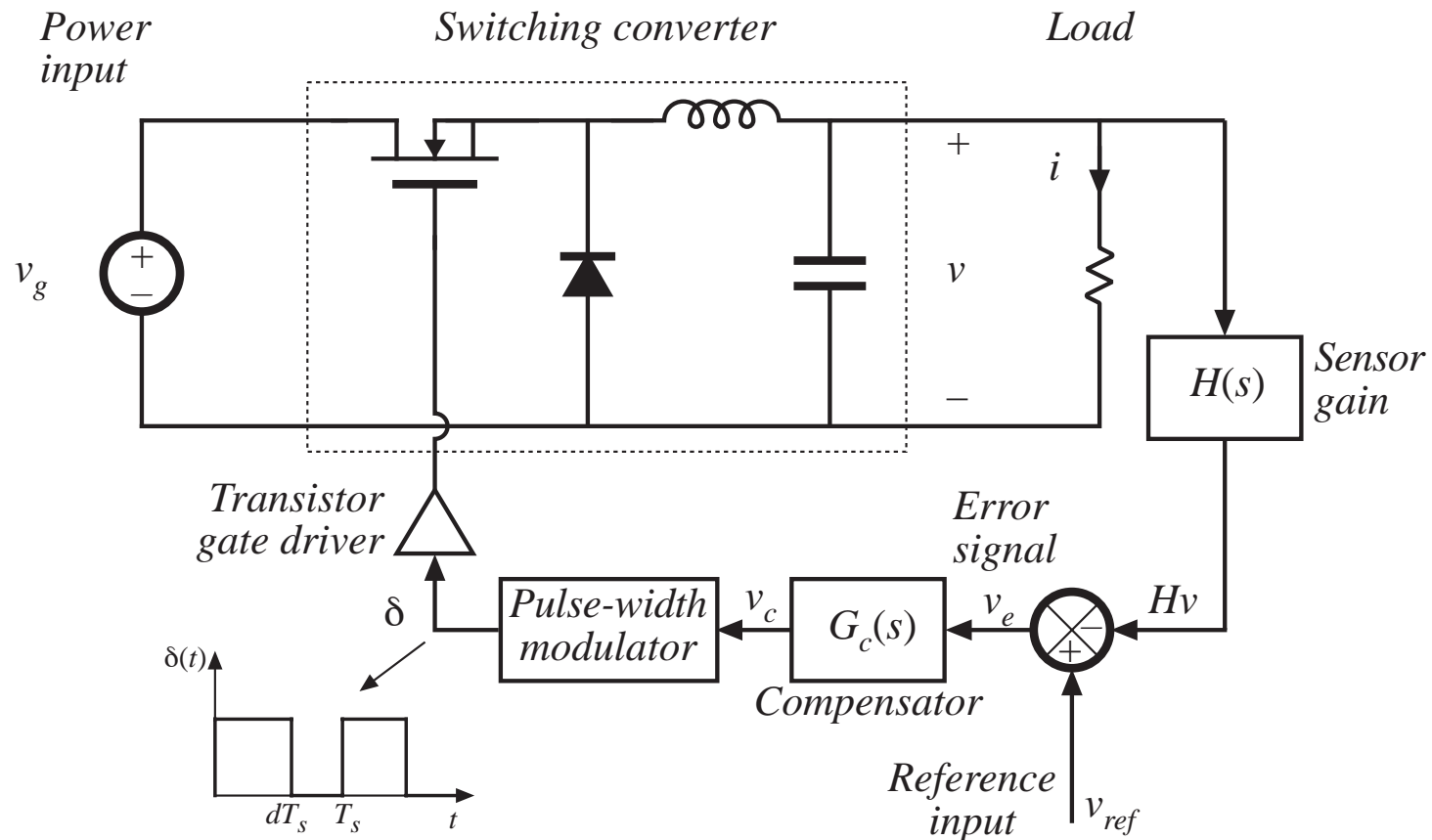
Addition of low pass filter

Addition of (ideally lossless) L - C low-pass filter, for removal of switching harmonics:

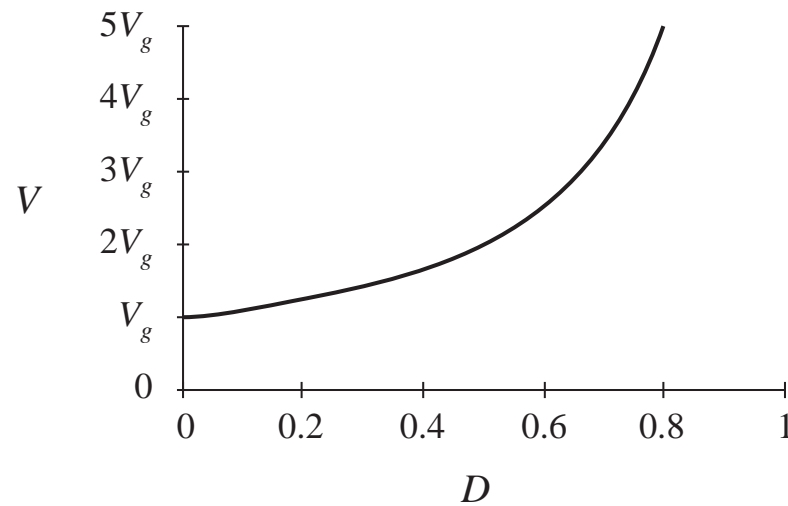
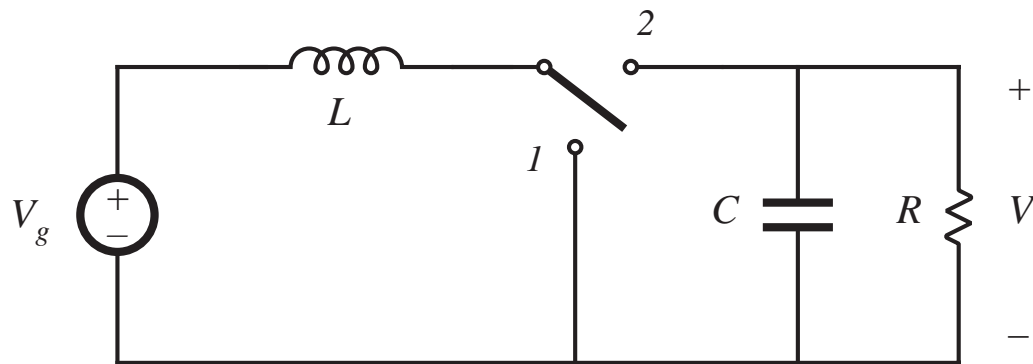


- Choose filter cutoff frequency f_0 much smaller than switching frequency f_s
- This circuit is known as the “buck converter”

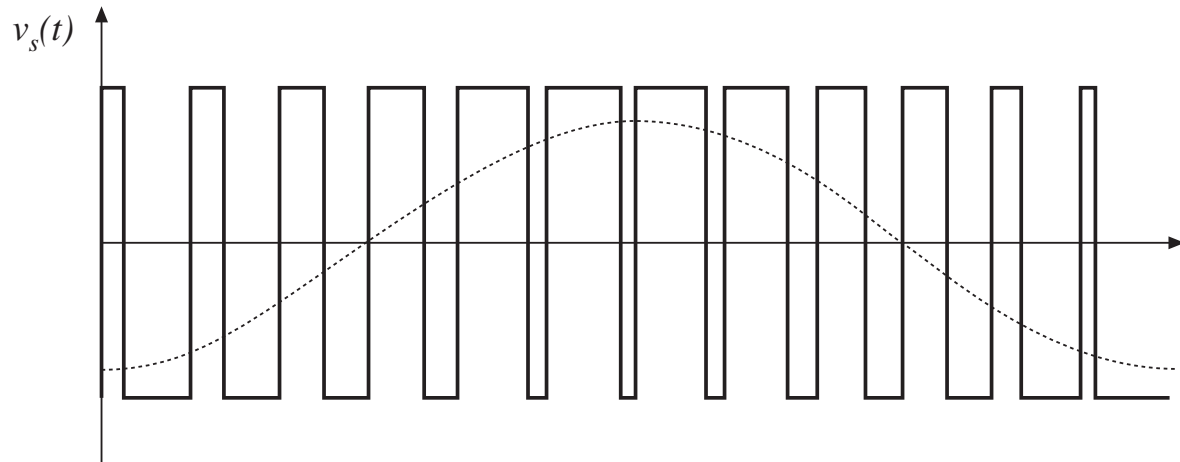
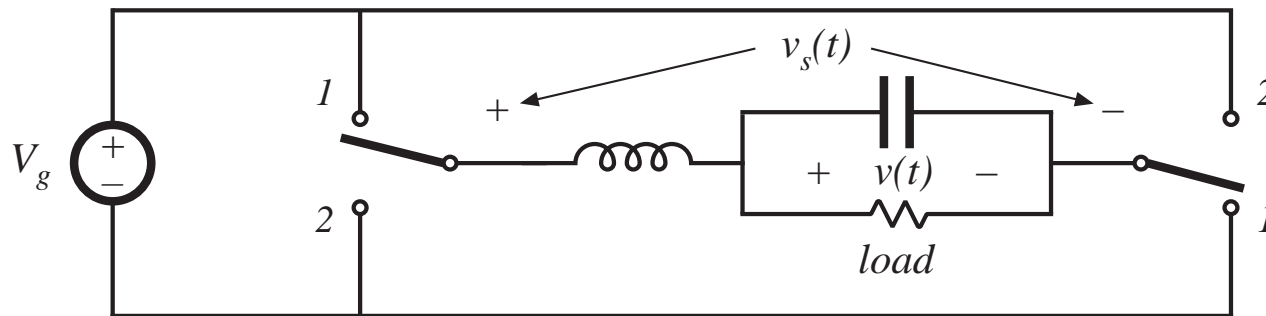
Addition of control system for regulation of output voltage



The boost converter



A single-phase inverter



“H-bridge”

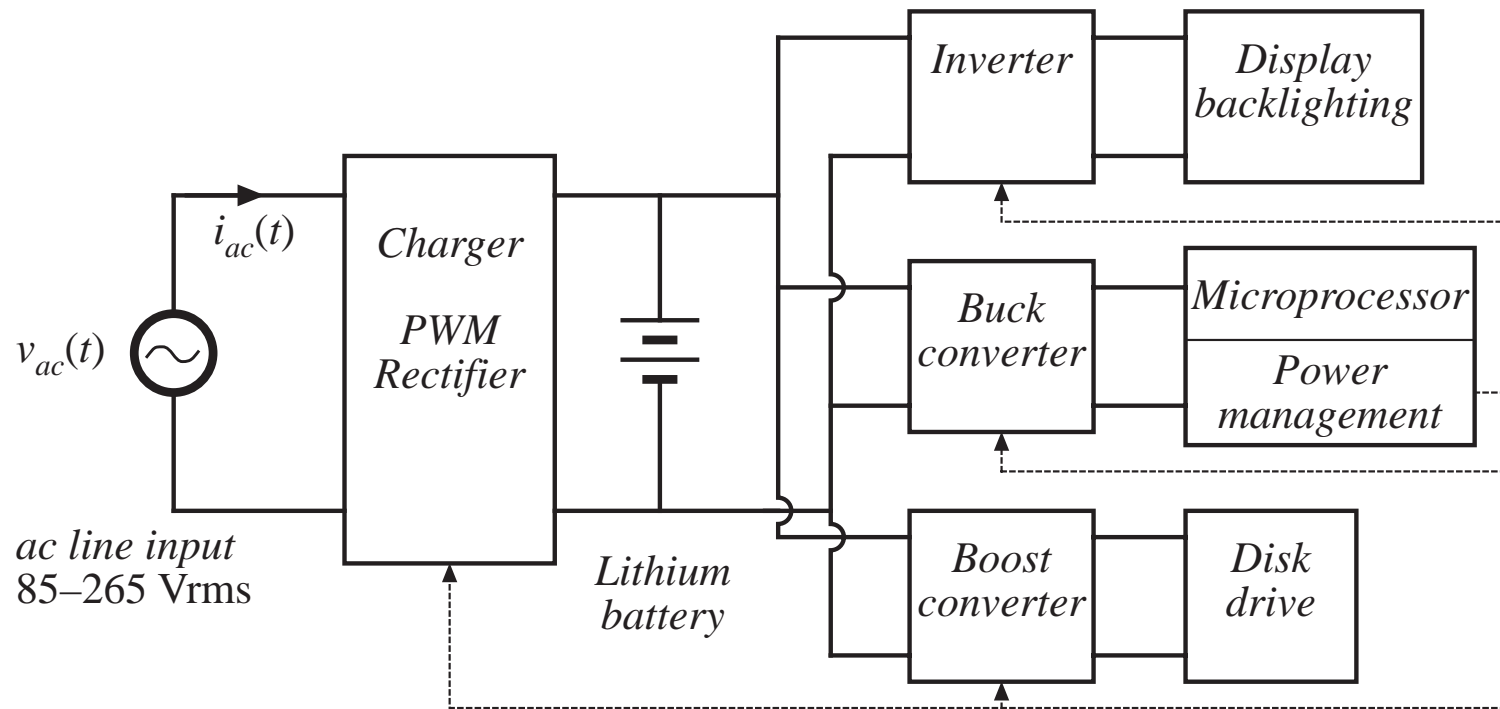
Modulate switch duty cycles to obtain sinusoidal low-frequency component

1.2 Several applications of power electronics

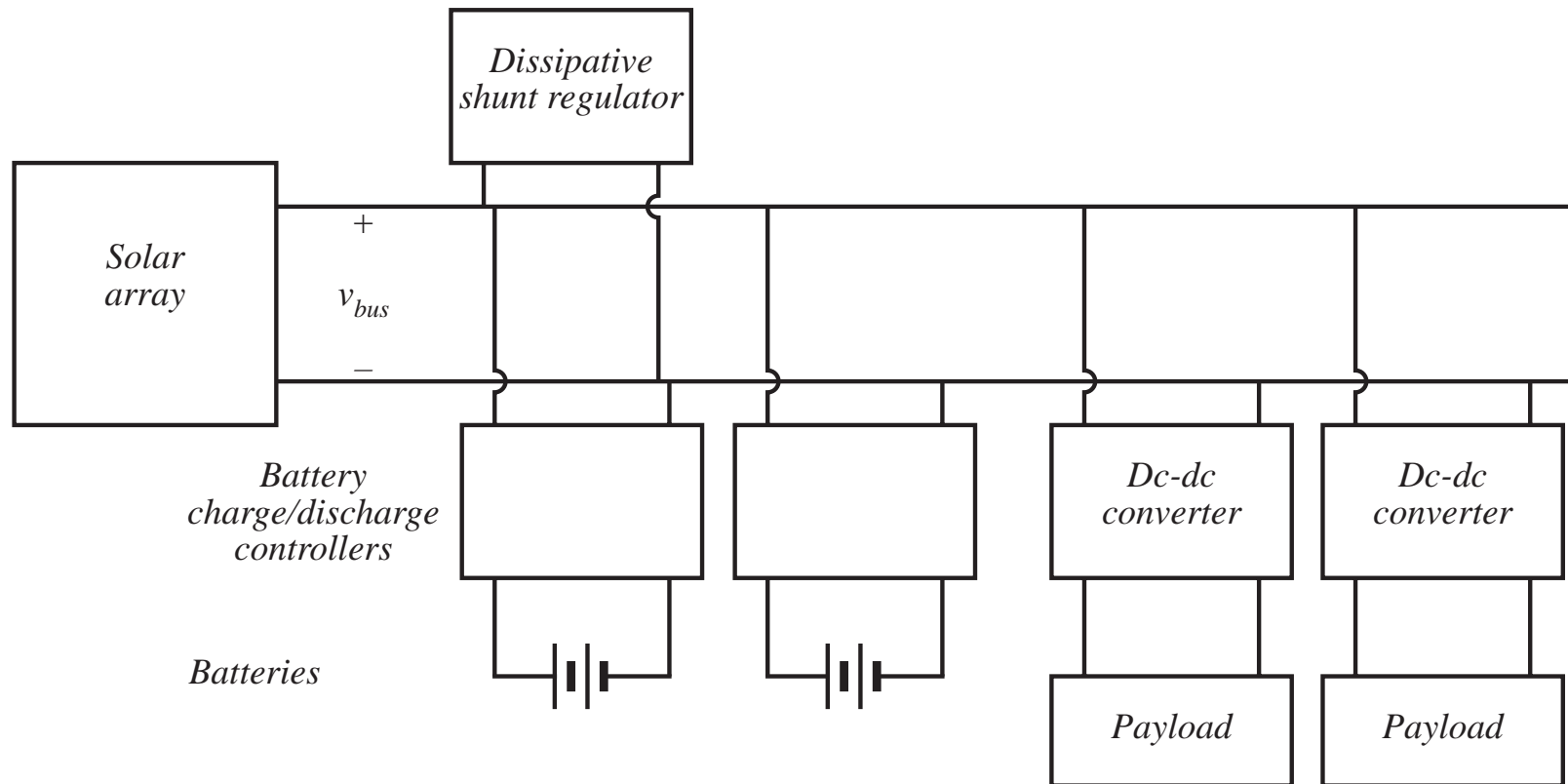
Power levels encountered in high-efficiency converters

- less than 1 W in battery-operated portable equipment
- tens, hundreds, or thousands of watts in power supplies for computers or office equipment
- kW to MW in variable-speed motor drives
- 1000 MW in rectifiers and inverters for utility dc transmission lines

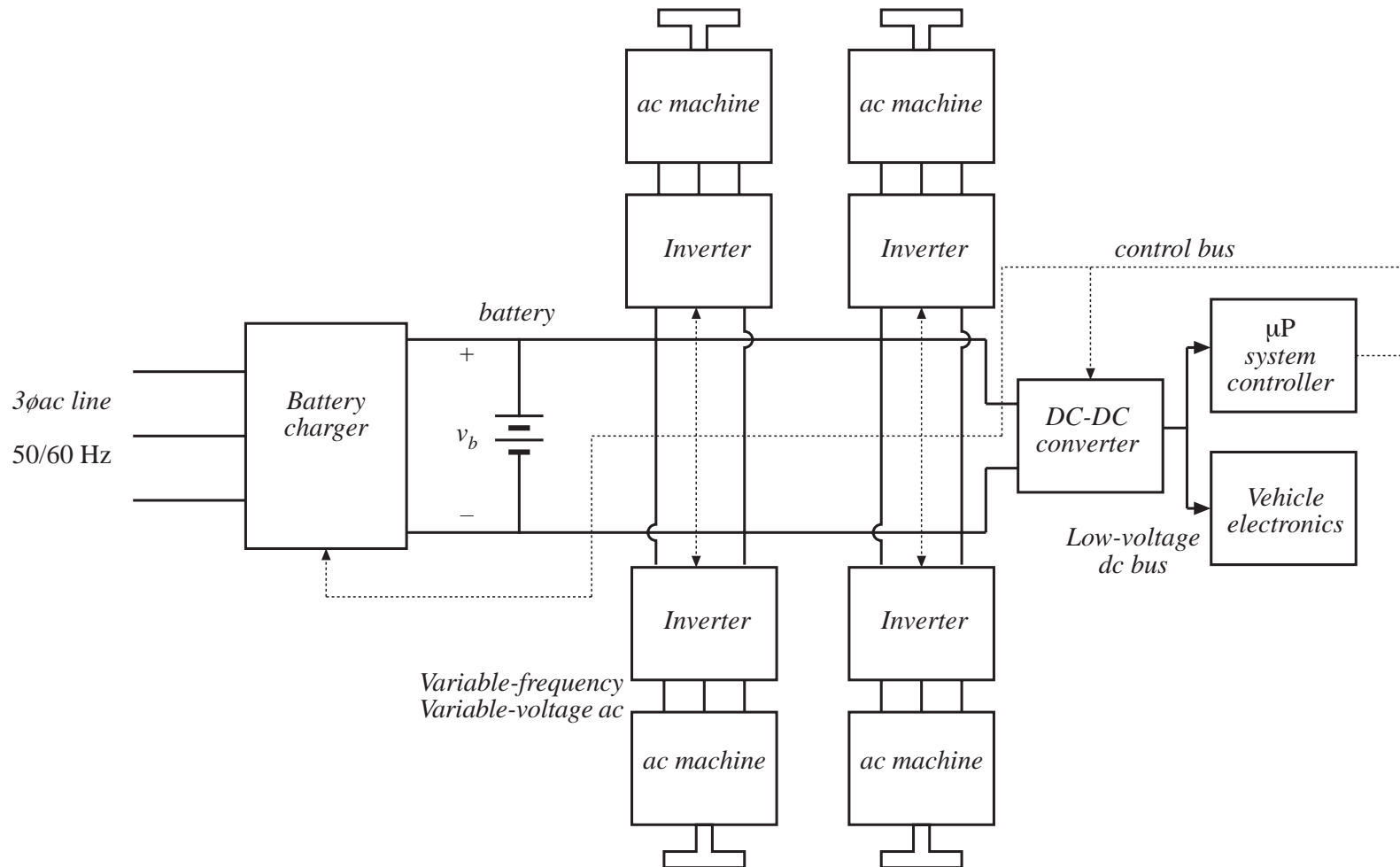
A laptop computer power supply system



Power system of an earth-orbiting spacecraft



An electric vehicle power and drive system



1.3 Elements of power electronics

Power electronics incorporates concepts from the fields of

analog circuits

electronic devices

control systems

power systems

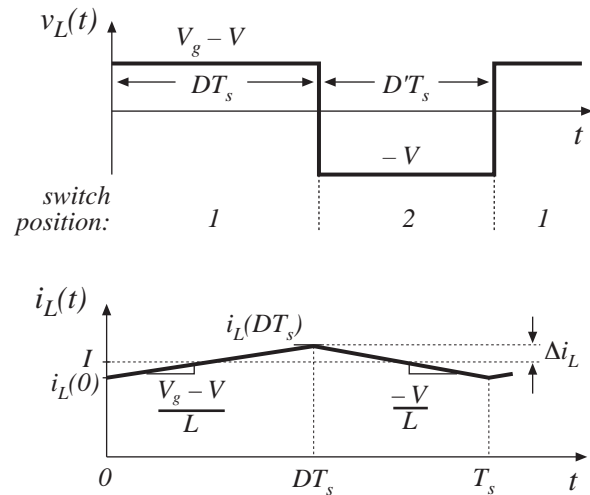
magnetics

electric machines

numerical simulation

Part I. Converters in equilibrium

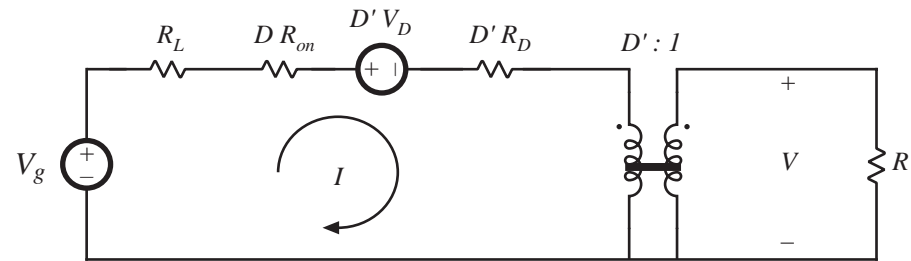
Inductor waveforms



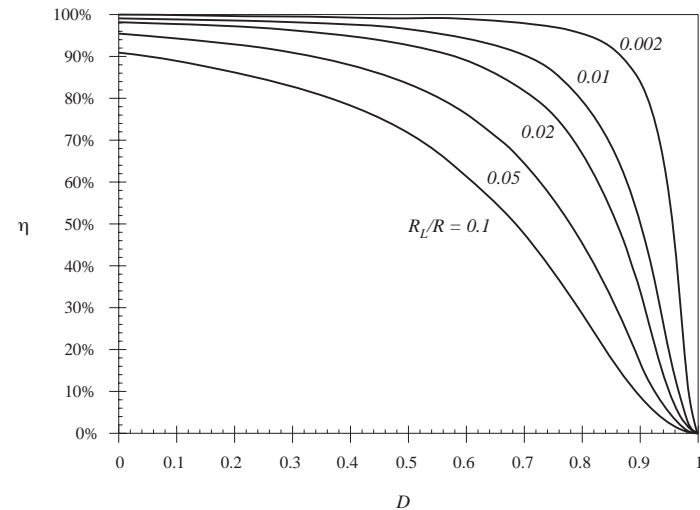
Discontinuous conduction mode

Transformer isolation

Averaged equivalent circuit

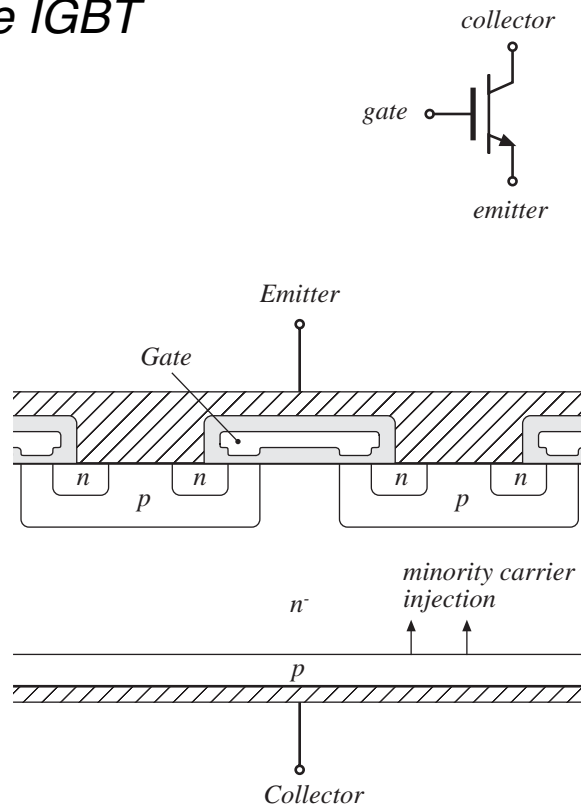


Predicted efficiency

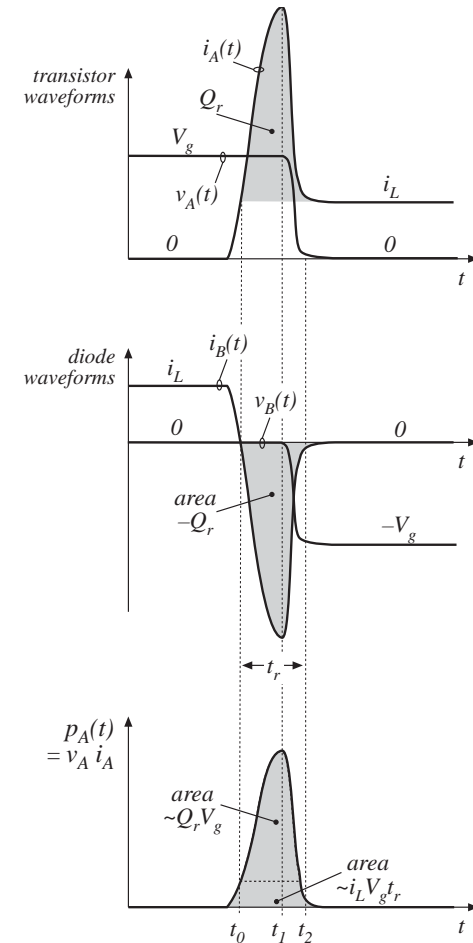


Switch realization: semiconductor devices

The IGBT



Switching loss

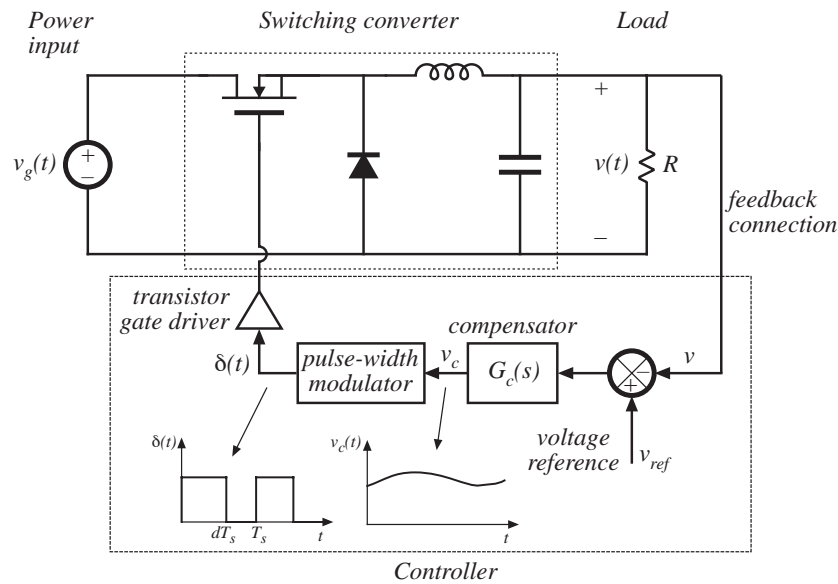


Part I. Converters in equilibrium

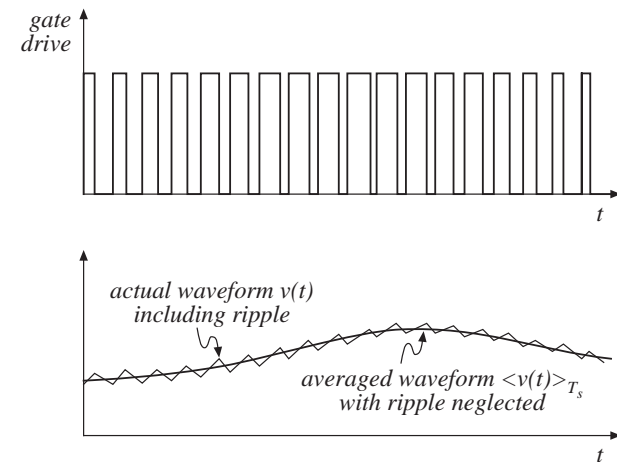
2. Principles of steady state converter analysis
3. Steady-state equivalent circuit modeling, losses, and efficiency
4. Switch realization
5. The discontinuous conduction mode
6. Converter circuits

Part II. Converter dynamics and control

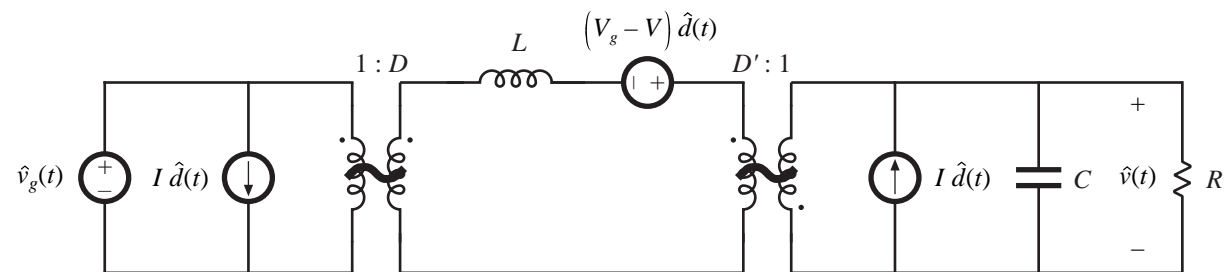
Closed-loop converter system



Averaging the waveforms



Small-signal averaged equivalent circuit

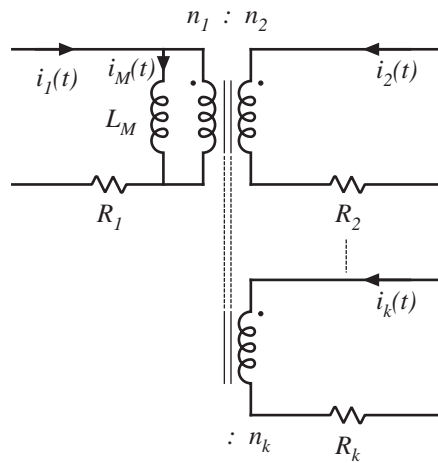


Part II. Converter dynamics and control

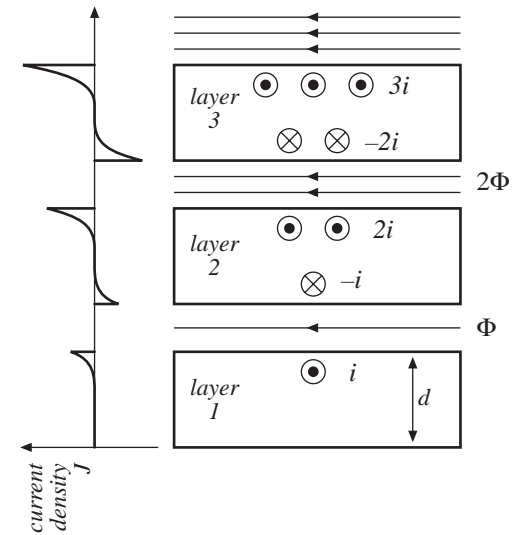
7. Ac modeling
8. Converter transfer functions
9. Controller design
10. Input filter design
11. Ac and dc equivalent circuit modeling of the discontinuous conduction mode
12. Current-programmed control

Part III. Magnetics

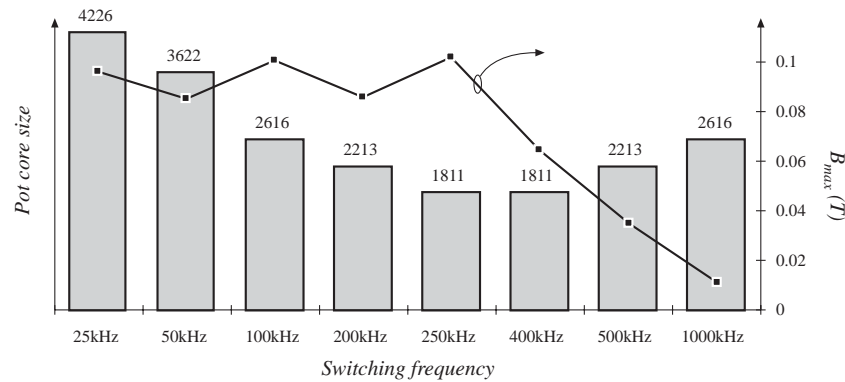
transformer design



the proximity effect



transformer size vs. switching frequency

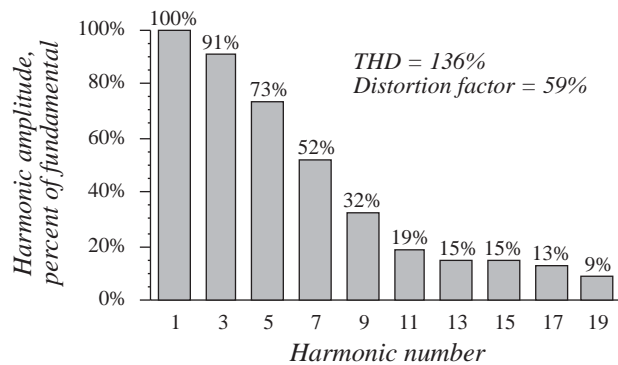
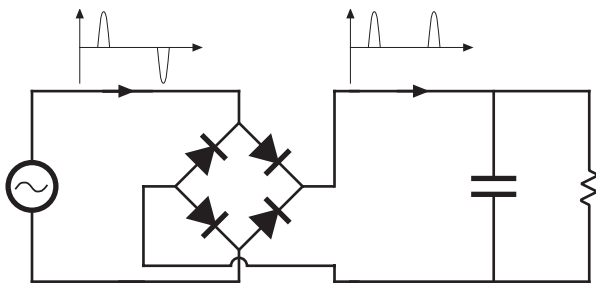


Part III. Magnetics

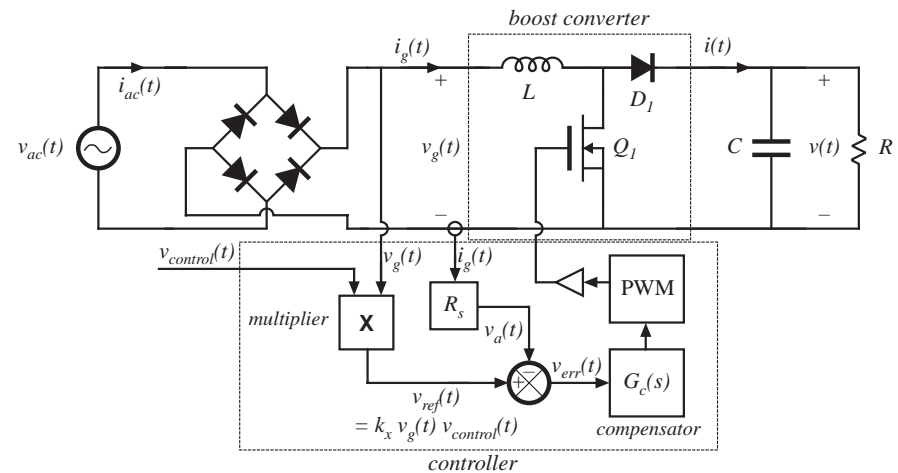
- 13. Basic magnetics theory
- 14. Inductor design
- 15. Transformer design

Part IV. Modern rectifiers, and power system harmonics

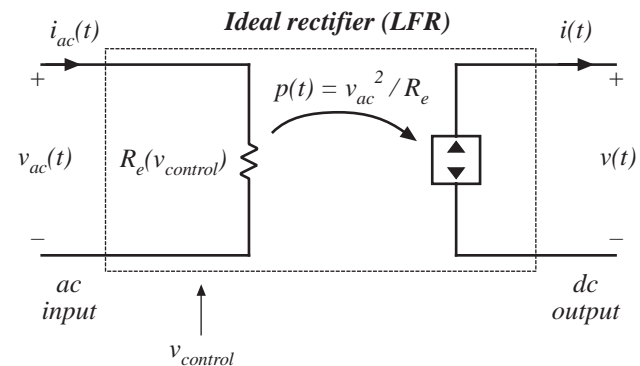
*Pollution of power system by
rectifier current harmonics*



A low-harmonic rectifier system



*Model of
the ideal
rectifier*

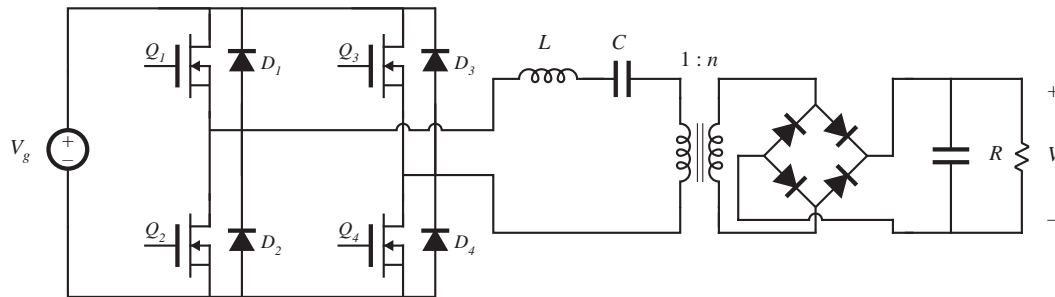


Part IV. Modern rectifiers, and power system harmonics

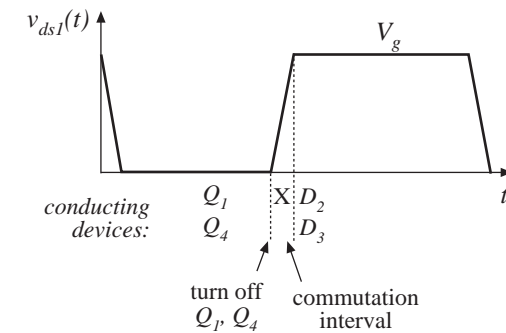
- 16. Power and harmonics in nonsinusoidal systems
- 17. Line-commutated rectifiers
- 18. Pulse-width modulated rectifiers

Part V. Resonant converters

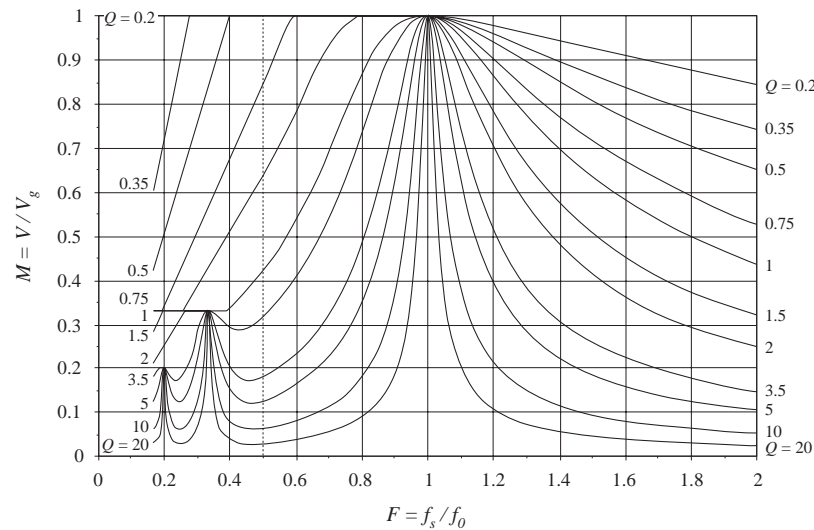
The series resonant converter



Zero voltage switching



Dc characteristics



Part V. Resonant converters

- 19. Resonant conversion
- 20. Soft switching

Appendices

- A. RMS values of commonly-observed converter waveforms
- B. Simulation of converters
- C. Middlebrook's extra element theorem
- D. Magnetics design tables

